

30' GAS-TANKCONTAINER | 30' GAS TANK CONTAINER



42.300 Liter ortsbeweglicher Gas-Tankcontainer, Typ T50, ADR/RID

42,300 liter portable gas tank container, type T50, ADR/RID

Technische Daten | technical details

■ Typ Type	30' Gas-Tankcontainer für Europa 30' gas tank container european domestic	■ Stärke der Tankwand Shell manufacturing thickness	8 mm 8 mm
■ Nominale Kapazität Nominal Capacity	42.300 l 42,300 l	■ Metallurgische Auslegungstemperatur Metallurgic Design Temperatur for Tank	-40 bis +55°C -40 to +55°C
■ Gesamtgewicht Max. gross weight	36.000 kg 36,000 kg	■ Max. zulässiger Betriebsdruck Maximum allowable working pressure	13,8 bar 13.8 bar
■ Eigengewicht Tare Weight	7.000 kg 7,000 kg	■ Prüfdruck Test pressure	19 bar 19 bar
■ Länge Lenght	9.125 mm 9,125 mm	■ Werkstoff Shell material	Kohlenstoffstahl P460 NL 1 Carbon steel P460 NL 1
■ Breite Width	2.550 mm 2,550 mm		
■ Höhe Height	2.675 mm 2,675 mm		

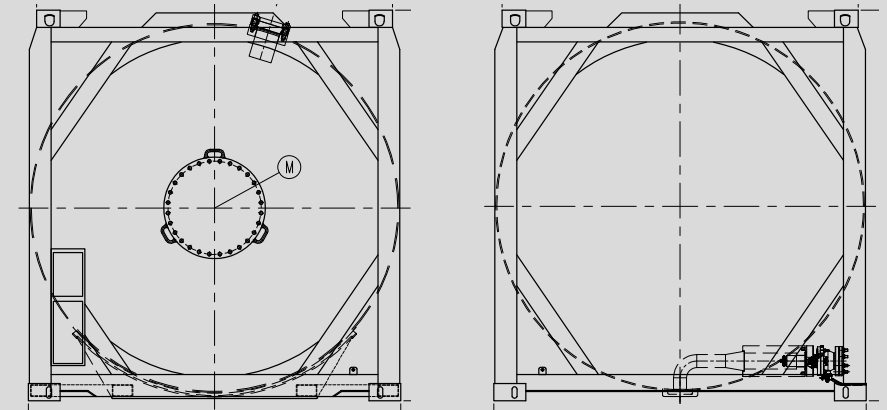
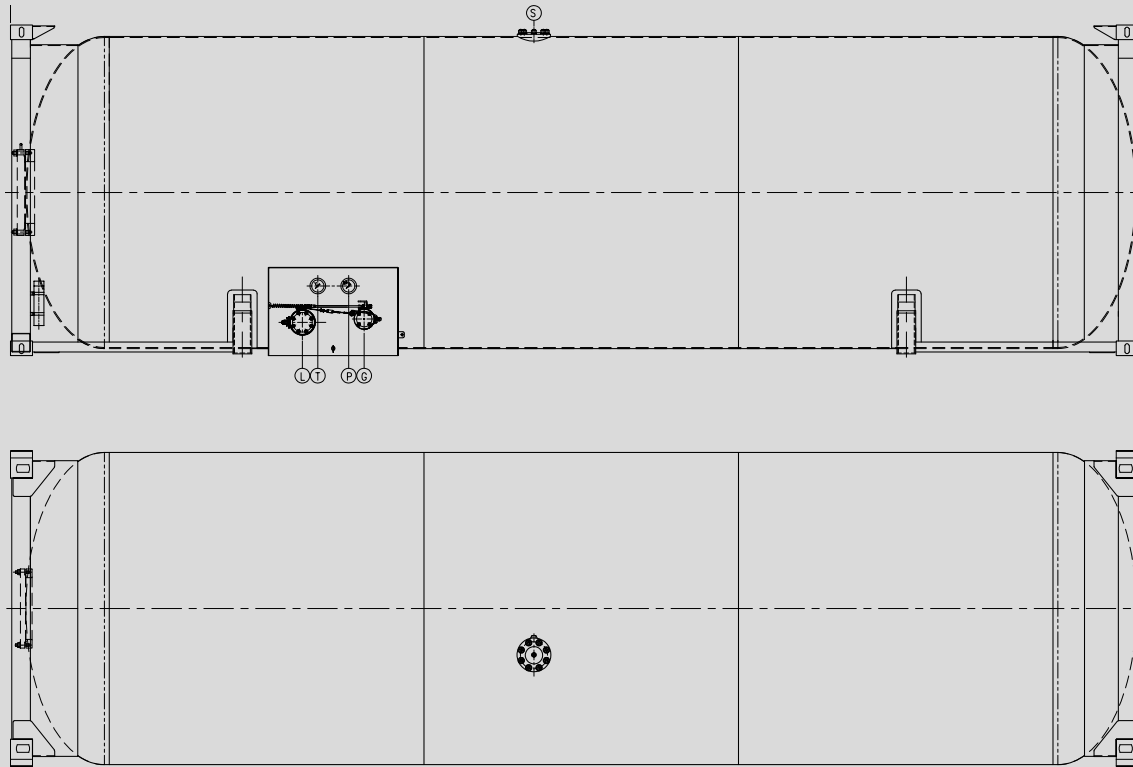
VTG Rail Europe GmbH
Nagelsweg 34
20097 Hamburg
Germany

Tel.: +49 40 2354-0
info@vtg.com
www.vtg.com

30' GAS-TANKCONTAINER | 30' GAS TANK CONTAINER



42.300 Liter ortsbeweglicher Gas-Tankcontainer, Typ T50, ADR/RID
42,300 liter portable gas tank container, type T50, ADR/RID



30' GAS-TANKCONTAINER | 30' GAS TANK CONTAINER



42.300 Liter ortsbeweglicher Gas-Tankcontainer, Typ T50, ADR/RID

42,300 liter portable gas tank container, type T50, ADR/RID

PRODUCTS LIST FOR 42,300 LITERS
T50 UN PORTABLE TANK CONTAINER

UN No.	PROPER SHIPPING NAME	MAX. PERMISSIBLE LOAD MASS(kg)
1010	1,2-BUTADIENES, STABILIZED	23265
1010	1,3-BUTADIENES, STABILIZED	23265
1010	BUTADIENES, STABILIZED	23265
1011	BUTANE	21570
1012	BUTYLENE (BUTENE)	22420
1030	1,1-DIFLUOROETHANE (R152A)	29000
1032	DIMETHYLAMINE, ANHYDROUS	24955
1033	DIMETHYL ETHER	24535
1036	ETHYLAMINE	25800
1037	ETHYL CHLORIDE	29000
1055	ISOBUTYLENE	21995
1061	METHYLAMINE	24535
1063	METHYLCHLORIDE	28250
1083	TRIMETHYLAMINE, ANHYDROUS	23688
1086	VINYL CHLORIDE, STABILIZED	29000
1087	VINYL METHYL ETHER, STABILIZED	28340
1965	HYDROCARBON GAS MIXTURE (10% PROPANE, 90% BUTANE)	21150
1965	HYDROCARBON GAS MIXTURE (20% PROPANE, 80% BUTANE)	20725
1965	HYDROCARBON GAS MIXTURE (24% PROPANE, 76% BUTANE)	20725
1965	HYDROCARBON GAS MIXTURE (30% PROPANE, 70% BUTANE)	20305
1965	HYDROCARBON GAS MIXTURE (40% PROPANE, 60% BUTANE)	20305
1965	HYDROCARBON GAS MIXTURE (50% PROPANE, 50% BUTANE)	20305
1965	HYDROCARBON GAS MIXTURE (60% PROPANE, 40% BUTANE)	19880
1965	HYDROCARBON GAS MIXTURE (PROPEL 40)	21150
1965	HYDROCARBON GAS MIXTURE (75% ISOPENTANE, 25% ISOBUTANE)	22840
1965	HYDROCARBON GAS MIXTURE, LIQUEFIED, N.O.S.- MIXTURE A-KAP24/1,4	21150
1965	HYDROCARBON GAS MIXTURE, LIQUEFIED, N.O.S.- MIXTURE A-KAP30/2,0	21150
1965	HYDROCARBON GAS MIXTURE, LIQUEFIED, N.O.S.- MIXTURE A01-KAP38/2,5	20725
1965	HYDROCARBON GAS MIXTURE, LIQUEFIED, N.O.S.- MIXTURE A01-KAP40/2,7	20725
1965	HYDROCARBON GAS MIXTURE, LIQUEFIED, N.O.S.- MIXTURE A02-KAP48/3,2	20305
1965	HYDROCARBON GAS MIXTURE, LIQUEFIED, N.O.S.- MIXTURE A0-KAP58/4,0	19880
1965	HYDROCARBON GAS MIXTURE, LIQUEFIED, N.O.S.- MIXTURE A1-KAP64/4,2	19455
1965	HYDROCARBON GAS MIXTURE, LIQUEFIED, N.O.S.- MIXTURE A1-KAP70/4,7	19455
1965	HYDROCARBON GAS MIXTURE (2% PROPANE, 3% BUTANE, 95% ISOBUTANE) AERON ISC	20725
1965	HYDROCARBON GAS MIXTURE (10% PROPANE, 50% N-BUTANE, 20% ISOBUTANE) AERON	21150
1969	ISOBUTANE	20725
2517	1-CHLORO-1,1-DIFLUOROETHANE (R142B)	29000
3159	1,1,1,2-TETRAFLUOROETHANE (R134A)	29000
3161	REFRIGERANT GAS R134A/DME (65/35)	29000
3161	REFRIGERANT GAS R134A/DME (70/30)	29000
3161	REFRIGERANT GAS R134A/DME (75/25)	29000
3161	REFRIGERANT GAS R134A/DME (93/7)	29000
3161	REFRIGERANT GAS R134A/DME (DME < 7%)	29000
3161	REFRIGERANT GAS R134A/R152A (25/75)	29000
3161	REFRIGERANT GAS R134A/R152A (30/70)	29000
3161	REFRIGERANT GAS R134A/R152A (40/60)	29000
3161	REFRIGERANT GAS R134A/R152A (50/50)	29000
3161	REFRIGERANT GAS R134A/R152A (70/30)	29000
3161	REFRIGERANT GAS R134A/R152A (75/25)	29000
3161	REFRIGERANT GAS R134A/R152A (85/15)	29000

3161	REFRIGERANT GAS R134A/R152A (86/14)	29000
3161	REFRIGERANT GAS R134A/R152A/DME (33/53/14)	29000
3161	REFRIGERANT GAS R134A/R152A/DME (43/43/14)	29000
3161	REFRIGERANT GAS R152A/DME (30/70)	26650
3161	REFRIGERANT GAS R152A/DME (60/40)	29000
3161	REFRIGERANT GAS R152A/DME (75/25)	29000
3161	REFRIGERANT GAS R152A/DME (80/20)	29000
3161	REFRIGERANT GAS R152A/DME (85/15)	29000
3161	REFRIGERANT GAS R152A/DME (90/10)	29000
3161	MIXTURE DME/ISOBUTANE (10/90)	21150
3161	MIXTURE DME/ISOBUTANE (20/80)	21570
3161	MIXTURE DME/ISOBUTANE (30/70)	21995
3161	MIXTURE DME/ISOBUTANE (40/60)	22420
3161	MIXTURE DME/ISOBUTANE (50/50)	22840
3161	MIXTURE DME/ISOBUTANE (60/40)	23265
3161	MIXTURE DME/ISOBUTANE (70/30)	23685
3161	MIXTURE DME/ISOBUTANE (80/20)	24110
3161	MIXTURE DME/ISOBUTANE (90/10)	24535
3161	MIXTURE DME/ISOBUTANE ALL PERCENTAGES	20725
3161	MIXTURE R152A/ISOBUTANE (25/75)	22420
3161	MIXTURE R152A/ISOBUTANE (30/70)	22840
3161	MIXTURE R152A/ISOBUTANE (40/60)	23685
3161	MIXTURE R152A/ISOBUTANE (60/40)	25800
3161	MIXTURE R152A/ISOBUTANE (70/30)	20725
3161	MIXTURE R152A/ISOBUTANE (75/25)	27915
3161	MIXTURE R152A/DME/ISOBUTANE (50/25/25)	26225
3161	MIXTURE R152A/DME/ISOBUTANE (65/25/10)	29000
3161	MIXTURE PROPENE/1-BUTANE (44/56)	20725
3163	TRANS-1,3,3,3-TETRAFLUOROPROP-1-ENE	29000
3163	TRANS-1-CHLORO-3,3,3-TRIFLUOROPROPENE	29000
3163	CIS-1-CHLORO-3,3,3-TRIFLUOROPROPENE	29000
3297	ETHYLENE OXIDE (8.8%) AND CHLOROTETRAFLUOROETHANE MIXTURE	29000
1078/3163	1,1,2,2,3-PENTAFLUOROPROPANE (R245ca)	29000
1078/3163	1,1,1,3,3-PENTAFLUOROPROPANE (R245fa)	29000
1078/3163	REFRIGERANT GAS R134A/DME (96.6/3.4)	29000
1078/3163	REFRIGERANT GAS R134A/DME (DME=7%)	29000
1078/3163	REFRIGERANT GAS R134A/DME (DME=7%)	29000
1078/3163	REFRIGERANT GAS R134A/R152A (86.1/13.9)	29000
1078/3163	REFRIGERANT GAS R142B/R22 (50/50)	29000
1078/3163	REFRIGERANT GAS R416A	29000
1078/3163	REFRIGERANT GAS R450A	29000
1078/3163	REFRIGERANT GAS R513A	29000
1010	MIXTURES OF 1,3-BUTADIENE AND HYDROCARBONS, STABILIZED	21150
1012	1-BUTYLENE	22420
1012	CIS-2-BUTYLENE	23265
1012	TRANS-2-BUTYLENE	22840
1078	REFRIGERANT GAS ISCEON 49	29000
1965	HYDROCARBON GAS MIXTURE (70% PROPANE, 30% BUTANE)	19455
1965	HYDROCARBON GAS MIXTURE (80% PROPANE, 20% BUTANE)	19035
1965	HYDROCARBON GAS MIXTURE, LIQUEFIED, N.O.S.- MIXTURE A	21150
1965	HYDROCARBON GAS MIXTURE, LIQUEFIED, N.O.S.- MIXTURE A0	19880
1965	HYDROCARBON GAS MIXTURE, LIQUEFIED, N.O.S.- MIXTURE A01	20725
1965	HYDROCARBON GAS MIXTURE, LIQUEFIED, N.O.S.- MIXTURE A02	20305
1965	HYDROCARBON GAS MIXTURE, LIQUEFIED, N.O.S.- MIXTURE A1	19458
1078/3163	REFRIGERANT GAS DUPONT29	29000
1078/3163	REFRIGERANT GAS R134A/DME (DME=1%)	29000
1078/3163	REFRIGERANT GAS R142B/R22 (40/60)	29000
1078/3163	REFRIGERANT GAS R405A	29000
1078/3163	REFRIGERANT GAS R406A	29000
1078/3163	REFRIGERANT GAS R409A	29000
1078/3163	REFRIGERANT GAS R413A	29000
1078/3163	REFRIGERANT GAS R414B	29000
1078/3163	REFRIGERANT GAS R437A	29000

VTG Rail Europe GmbH
Nagelsweg 34
20097 Hamburg
Germany

Tel.: +49 40 2354-0
info@vtg.com
www.vtg.com